

CHAIN CUTTER & RIVETING TOOL

This tool is a compact handy tool for chain that can be used for cutting, press fitting of connecting link plate and riveting of connecting pin by one body. For safety riding with full performance of chain, you are kindly requested to peruse the following instructions and work safely in accordance with proper procedure.



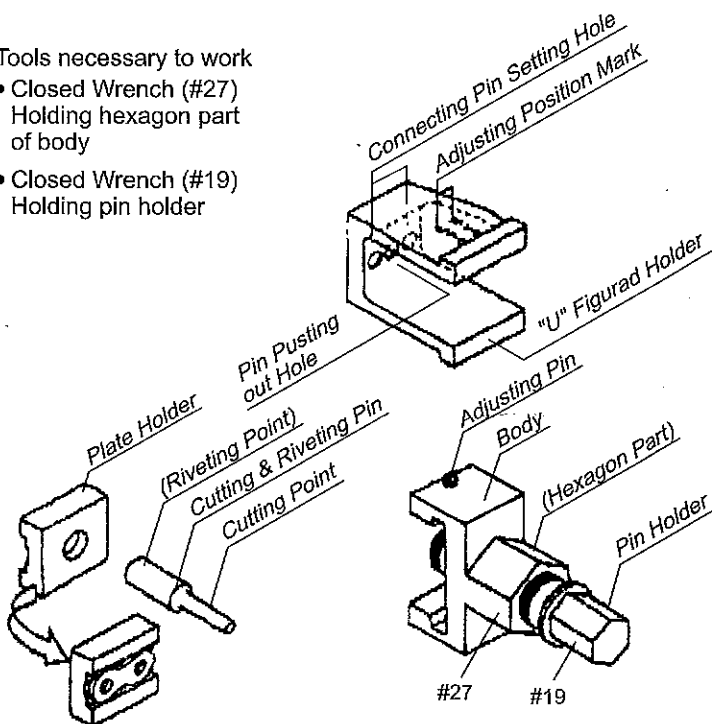
Caution

- Before use of this tool, please check whether this tool is suitable for your selected chain and/or size of connecting link.
- When press fitting and/or riveting, be sure to check that the connecting link is the same size and type as those of the chain to be connected.
- Be sure to put on safety goggles when working.

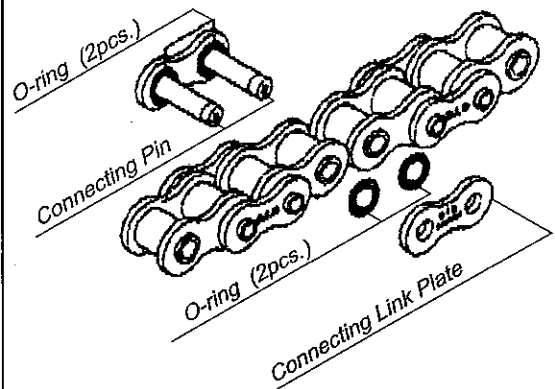
STRUCTURE & EACH PART

Tools necessary to work

- Closed Wrench (#27)
Holding hexagon part of body
- Closed Wrench (#19)
Holding pin holder

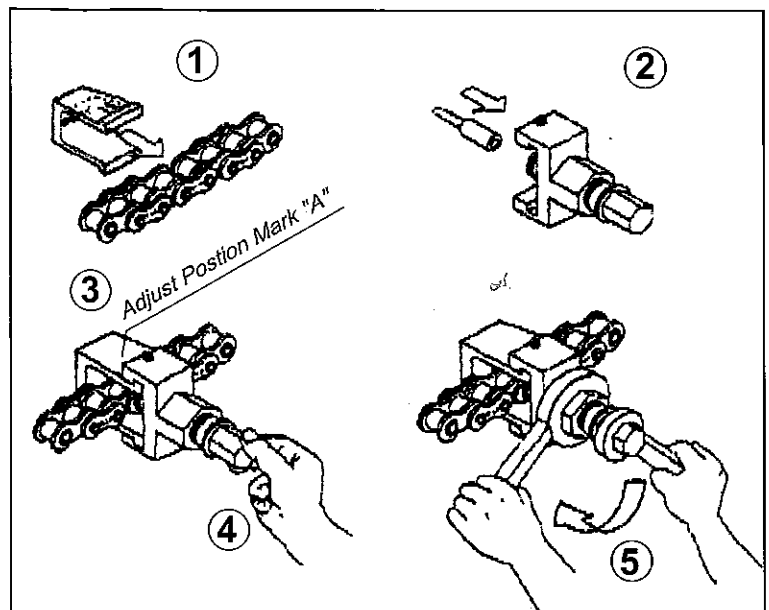


CHAIN AND CONNECTING LINK



Disassembling of Chain (Pushing out of Pin)

- ① Set "U figured holder" ("U" holder) with a chain link to be disconnected.
- ② A cutting & riveting pin is set into a pin holder as shown in the right Fig, and turn a pin holder so as not to make pin head projected from a body so much.
- ③ A body is set on "U holder" holding a chain, and adjusting pin is adjusted on mark A of "U" holder.
- ④ Turn a pin holder by hand until that a cutting & riveting pin contacts with a pin of the chain. Be sure to check cutting pin is contacted in center with a pin of chain.
- ⑤ Hold hexagon part of a body by a closed wrench (#27) and push out the chain-pin from the link plate by turning a pin holder clockwise with a closed wrench (#19).



Press Fitting of Connecting Link Plate

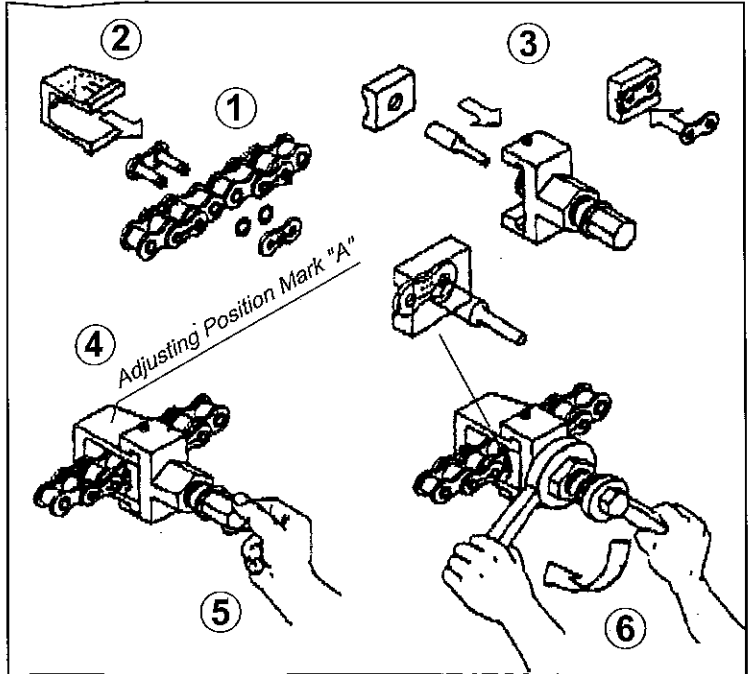
- Connect both ends of a chain with connecting link, and press a connecting plate into connecting pins.
 - Be sure to check that grease is put on connecting pins.
 - For O-ring chain, be sure to check that 4 pcs of O-rings are set into the proper position.

- Set pin heads of connecting link into pin-holes of "U" holder.
- Fit a plate holder and a cutting & riveting pin on a body as shown in the right Fig.
- Set a body on "U" holder holding a chain, and adjust "U" holder so that an adjusting pin is set into the mark "A" of "U" holder.

- Turn a pin holder by hand until that a plate holder contacts with the connecting link plate.

- Holding hexagon part of a body by closed wrench (#27), and turn a pin holder by a closed wrench (#19) clockwise until that connecting pins contact with a plate holder as shown in above Fig.

- Disassemble a plate holder after complete of press-fitting of connecting link plate.
- Be sure to make riveting work given below after press-fit work.



Riveting of Pin

- A connected link by above work is set with "U" holder as shown in the right Fig.

- Set a cutting & riveting pin into a pin holder as shown in the right Fig.

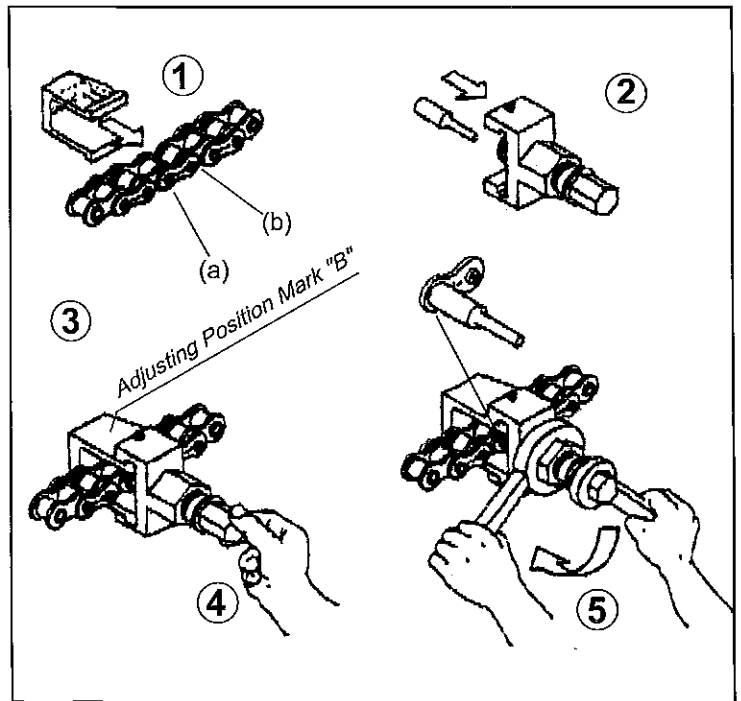
- Set a body with "U" holder holding a chain, and adjust pin in the mark "B" of "U" holder.

- Turn a pin holder by hand until that a cutting & riveting pin contacts with a connecting pin (a).

- Holding the hexagon part of a body by a closed wrench (#27), turn a pin holder by a closed wrench (#19) clockwise until that flared part of riveting pin head contacts with surface of a connecting link plate.

- In order to rivet a connecting pin (b), return a pin holder, and move a chain in one pitch.

Then, repeat to work as above ① ~ ⑤



Condition of Riveted Pin

Be sure to check that outside round of both riveted pins are the same Fig "OK".

